

# DIMENSIONS & DATA CERTIFIED FOR:

Representative:

Order:

Customer:

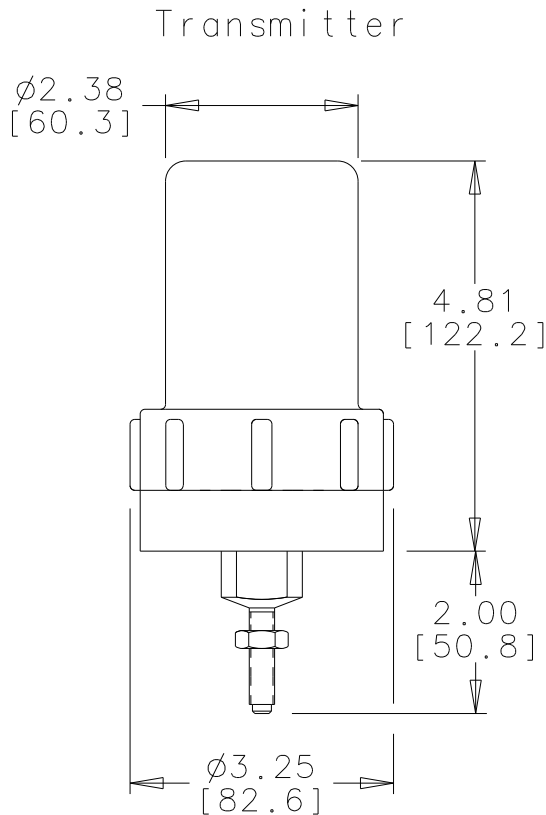
Order:

Project:

Requirements:

By:

Date:



Name Of Part	Material
Body	Nylon/Glass Reinforced
Core, Probe	T304 S.S.
Cover, Inner	PEE
Bushing, Probe	T304 S.S.
O-Ring	Nitrile
Battery	Duracell #DL123A 3 VDC; 2/3 A Size LiMnO2
Nut	18-8 S.S.

### Technical Information

Operating Frequency	902-928 MHz(North America)
Transmission Band Width	200 KHz
Communications	Proprietary Spread Spectrum Format
Ambient Temp.	-50°F To 149°F at Or Above 15 psig [-46°C To 65°C at Or Above 2 bar]
Intrinsically Safe	Class 1, Groups C, D; Class II Groups F, G; Class III, Div. 1, 2
Power Output	60 mW (North America)
Model	Qty.
URFC4700	2



Product	ENGLISH	CD No.	Date
SteamEye Starter Kit W/ Transmitter(Set Temp.)90°F at 100 psig[32.2°C at 6.8 bar]	WEB Y N - ✓	2098	12/14/07
		Rev; A sht. 2	By; paulg